

Marine Maintenance-Free Starting Battery



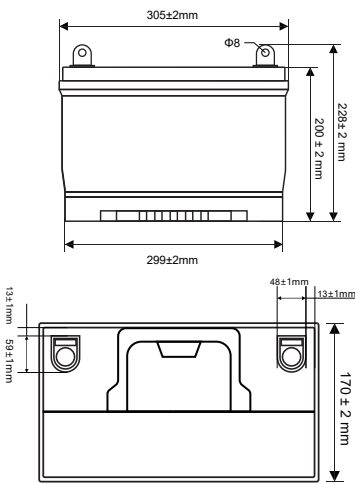
BB N90 12V90Ah Marine Battery

- CQW Marine Battery
- Maintenance-free marine battery
- No need to refill electrolyte
- No need for equalisation charging
- CCS Certification
- Valve-regulated sealed structure

SPECIFICATION:

Brand	BB	Authoritative Certification	CCS Certification
Model	6-CQW-90	Voltage	12V
Starting Current CCA (25 °C)	730A	Marine Cranking Amps MCA (25 °C)	949A
Dimension	305×170×200 (228) mm 12.00"×6.69"×7.87" (8.97")	Terminal Type	L
Package Dimensions	315×178×248 mm	Operating temperature range	10.5V - 14.4V
Weight (N / G)	19.05kg / 19.35kg	Cyclic Charge Voltage	20 °C - 25 °C

Battery Dimension

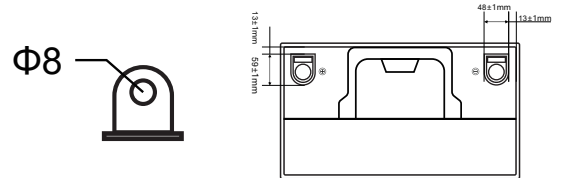


Dimension:
Length: 305±2mm
Width: 170±2mm
Height: 200±2mm
Total height: 228±2mm

Battery Characteristics

Starting Current CCA(25°C)	730A	
Reserve Capacity(RC)	95min	
Rated Capacity	20-hour rate(C20)	60Ah

Stand terminals & Polarity



Disclaimer

Accuracy of all technical data and information are provided to the best knowledge of the manufacturer. Properties, specifications and application parameters are subject to change without notice. The manufacturer does not undertake any liability of any kind whatsoever.

Powering Your Voyage

Powering the World's Fleets. From small fishing boats to large commercial vessels, BB batteries provide the power you need. Our customizable solutions ensure that you get the perfect battery for your specific application.