

# Marine Maintenance-Free Starting Battery



## BB N210 12V210Ah Marine Battery

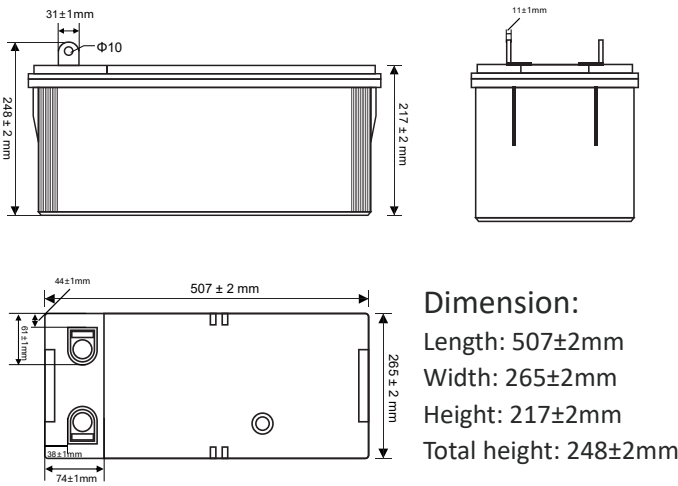


- CQW Mrine Battery
- Maintenance-free marine battery
- No need to refill electrolyte
- No need for equalisation charging
- CCS Certification
- Valve-regulated sealed structure

### SPECIFICATION:

|                              |   |                                  |                   |
|------------------------------|---|----------------------------------|-------------------|
| Brand                        | BB  | Authoritative Certification      | CCS Certification |
| Model                        | 6-CQW-210   | Voltage                          | 12V               |
| Starting Current CCA (25 °C) | 1000A   | Marine Cranking Amps MCA (25 °C) | 1300A             |
| Dimension                    | 507×265×217 (248) mm<br>19.96"×10.43"×8.54" (9.76") | Terminal Type                    | L                 |
| Package Dimensions           | 513×273×307 mm                                      | Operating temperature range      | 10.5V - 14.4V     |
| Weight (N / G)               | 43.55kg / 45.50kg                                   | Cyclic Charge Voltage            | 20 °C - 25 °C     |

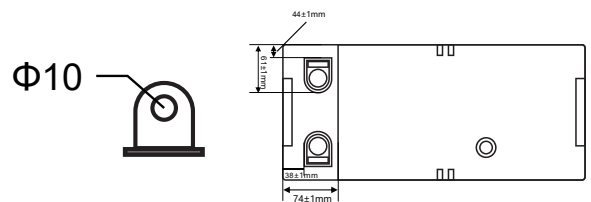
### Battery Dimension



### Battery Characteristics

|                            |                   |      |
|----------------------------|-------------------|------|
| Starting Current CCA(25°C) | 1000A             |      |
| Reserve Capacity(RC)       | 171min            |      |
| Rated Capacity             | 20-hour rate(C20) | 95Ah |

### Stand terminals & Polarity



Disclaimer

Accuracy of all technical data and information are provided to the best knowledge of the manufacturer. Properties, specifications and application parameters are subject to change without notice. The manufacturer does not undertake any liability of any kind whatsoever.

## Powering Your Voyage

Powering the World's Fleets. From small fishing boats to large commercial vessels, BB batteries provide the power you need. Our customizable solutions ensure that you get the perfect battery for your specific application.